

---

# IKA Service-Manual

---

## Shaker / Schüttler KS 130 control

No. 29801.00



**IKA®**

IKA – Werke GmbH & Co. KG  
Janke & Kunkel-Str. 10  
D - 79219 Staufen

Phone: 0049 (0)7633 831 139 / 202  
Fax: 0049 (0) 7633 500 212  
E-Mail: [service@ika.de](mailto:service@ika.de)  
Internet: [www.ika.de](http://www.ika.de)

Type: **KS 130 control**Item No.: **2980100**

Voltage: 220-240V~ 50/60Hz

**IKA® Service-Manual**

Date: 14-JUN-2007

SZ: 2980100SZ\_f

| Pos | Item No | Bezeichnung             | Description            | Technical data      | Bemerkung | Remark |
|-----|---------|-------------------------|------------------------|---------------------|-----------|--------|
| 1   | 3026500 | SECHSKANTMUTTER         | HEXAGON NUT            | BM 6,0 A2           |           |        |
| 2   | 2746500 | TORX-TAPT.ZYL. SCHRAUBE | TORX-TAPT. CH.H.SCREW  | M 3,0x10,0 bl-vz    |           |        |
| 3   | 2924700 | TORX-PLASTITE LINSENSCH | TORX-PLAST.OV.H. SCREW | 3,0x 8 bl-vz        |           |        |
| 5   | 2949600 | PLASTITE-SENKSCHRAUBE   | PLASTITE - SCREW       | 5,0x16 blau-vz      |           |        |
| 7   | 2636200 | SICHERUNGSSCHRAUBE      | SECURING SCREW         | M 5,0x 16,0 100verz |           |        |
| 12  | 2473800 | VIERKANTMUTTER          | SQUARE NUT             | M 5,0 5 -A          |           |        |
| 16  | 2991100 | SCHEIBE                 | DISC                   | A 3,2 PA6.6         |           |        |
| 17  | 0836900 | SICHERUNGSRING          | RETAINING RING         | 15,0x 1,00          |           |        |
| 19  | 0310300 | KABELBINDER             | CABLE CLAMP            | 102 lg x 0,9 D= 20  |           |        |
| 20  | 2976100 | BODEN                   | GROUND                 |                     |           |        |
| 21  | 2978600 | GEWICHT                 | WEIGHT                 |                     |           |        |
| 22  | 2978500 | GUMMIFUSS               | RUBBER FOOT            | D 50,0x 13,5 M 6    |           |        |
| 24  | 3136400 | GEHÄUSE lackiert        | HOUSING lacquered      | KS 130              |           |        |
| 25  | 2976500 | DREHKNOBF               | ROTARY KNOB            | D 36                |           |        |
| 26  | 2977101 | ABDECKUNG               | EDGE HEADER            |                     |           |        |
| 27  | 2977500 | SCHÜTTELTISCH           | SHAKING TABLE          |                     |           |        |
| 28  | 2474401 | KANTENSCHUTZ            | EDGE GUARD             | 5,0x 5,0x 20,0      |           |        |
| 30  | 1704200 | KLEMMSCHRAUBE           | BINDING SCREW          | M 5x10              |           |        |
| 32  | 2812100 | SCHUTZKAPPE             | PROTECTION CAP         |                     |           |        |
| 39  | 2601600 | ABDECKKAPPE             | CAP                    | f. 9pol Stecker     |           |        |
| 43  | 3028900 | LAGERBUCHSE             | BUSHING                |                     |           |        |
| 44  | 2977400 | SCHÜTTELRAHMEN          | SHAKING FRAME          |                     |           |        |
| 45  | 2474100 | FEDERBLECH innen        | FEATHER METAL SHEET    | 94x 15x 0,5dick     |           |        |
| 58  | 3138500 | ANSCHLUSSKLEMME         | SUPPLY TERMINAL        | P 4 A10,0V 250      |           |        |
| 59  | 3138200 | ERDUNGSKLEMME           | EARTH TERMINAL         |                     |           |        |
| 60  | 2925303 | WIPPSCHALTER            | ROCKER SWITCH          |                     |           |        |
| 61  | 3029900 | GERÄTESTECKER           | CONNECTOR              | 250V 6,3A 2 pol.    |           |        |
| 62  | 1363700 | GERÄTESICHERUNG         | FUSE                   | A 1,000V 250M5x20 T |           |        |
| 63  | 3002700 | BLP ANZEIGE             | PCB DISPLAY            |                     |           |        |
| 64  | 3002515 | BLP LEISTUNG            | PCB POWER              |                     |           |        |
| 65  | 3107800 | FLACHBANDLEITER         | FLAT LINE              | 18pol / 450lg       |           |        |
| 66  | 2947300 | GABELLICHTSCHRANKE      | LIGHT BARRIER          |                     |           |        |

Type: **KS 130 control**Item No.:**2980100**

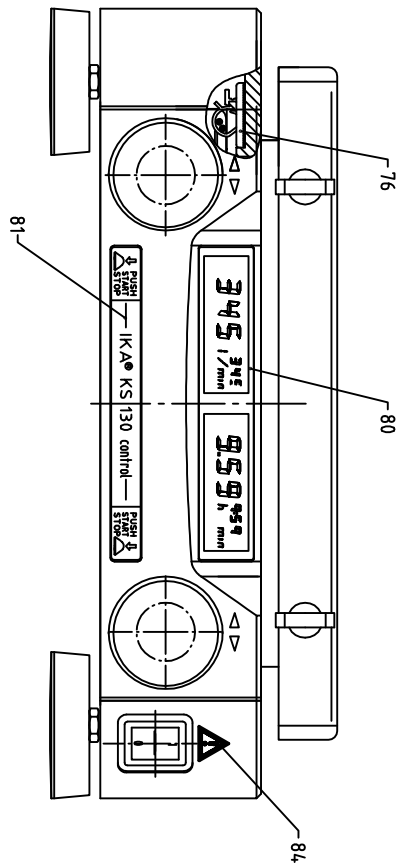
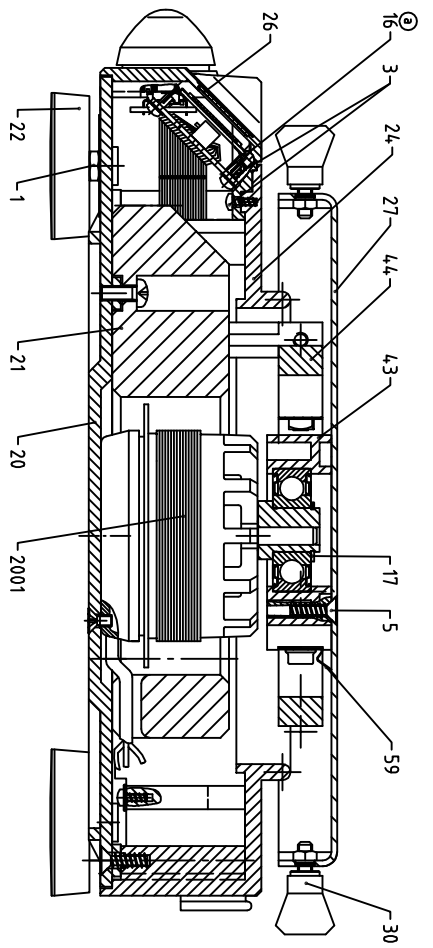
Voltage: 220-240V~ 50/60Hz

**IKA® Service-Manual**

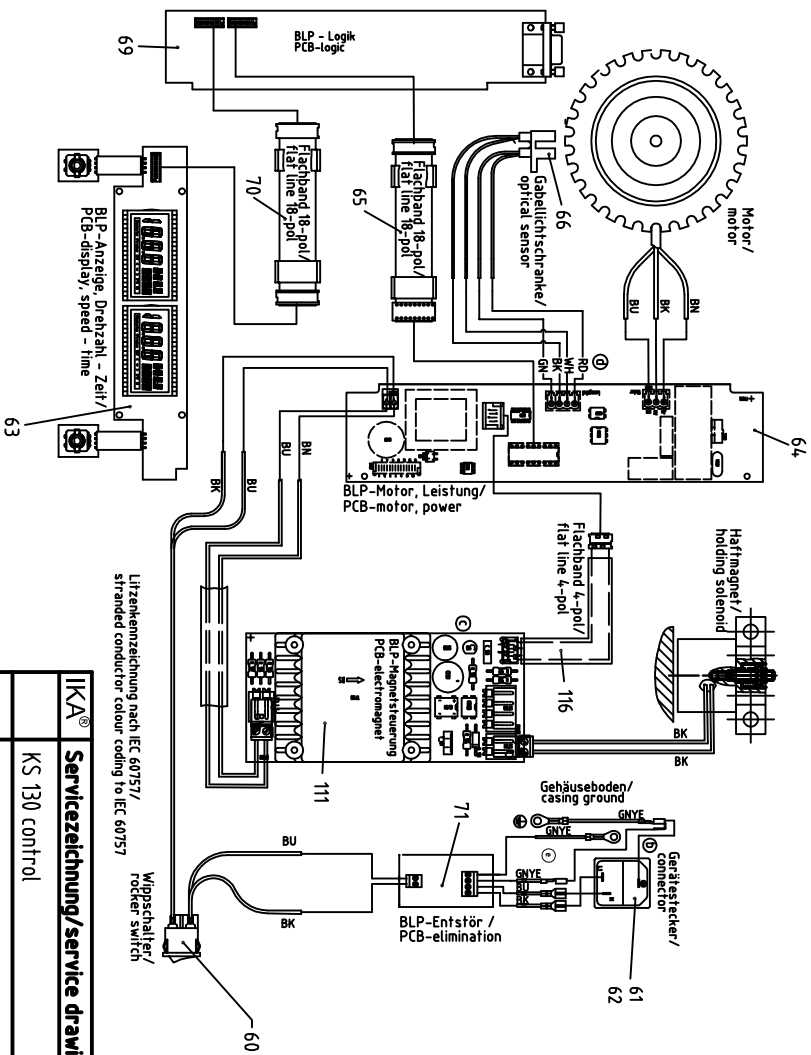
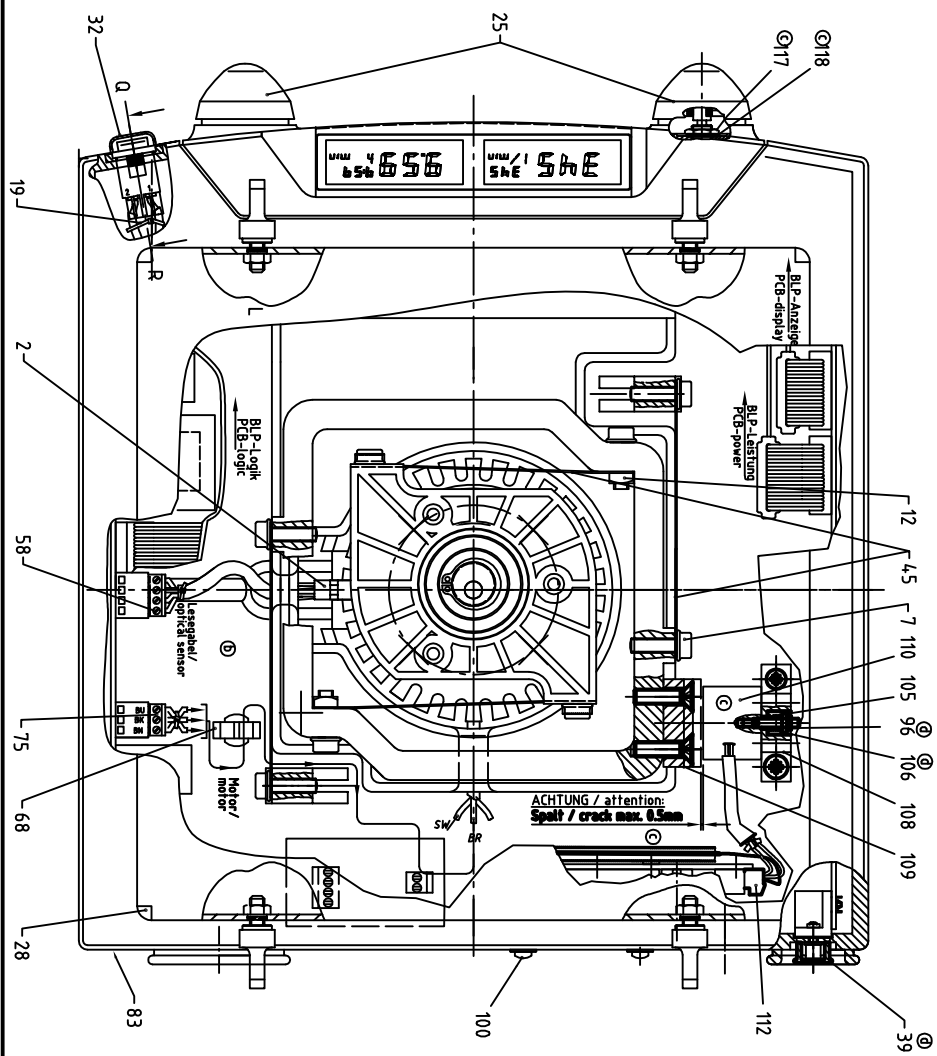
Date: 14-JUN-2007

SZ: 2980100SZ\_f

| Pos  | Item No | Bezeichnung             | Description            | Technical data         | Bemerkung                    | Remark                         |
|------|---------|-------------------------|------------------------|------------------------|------------------------------|--------------------------------|
| 68   | 3071200 | KABELHALTER             | CABLE CLAMP            |                        |                              |                                |
| 69   | 3002300 | BLP LOGIK               | PCB LOGIC              |                        |                              |                                |
| 70   | 3107900 | FLACHBANDLEITER         | FLAT LINE              | 18pol / 180lg          |                              |                                |
| 71   | 3108700 | BLP ENTSTÖRUNG          | PBA INTERFERENCE       |                        |                              |                                |
| 75   | 3037200 | ANSCHLUSSKLEMME         | CONNECTING TERMINAL    | P 3 A10,0V 250         |                              |                                |
| 76   | 3119901 | RUNDKABELSCHELLE        | CABLE CLAMP            | 9,5 PA 6.6 grau        |                              |                                |
| 80   | 2976900 | FRONTFOLIE              | FRONT FOIL             | control                |                              |                                |
| 81   | 2978700 | FRONTSCHILD             | FRONT FOIL             | KS 130 control         |                              |                                |
| 83   | 2268700 | HINWEISSCHILD           | DECAL INFORMATION      | 6,35x 19,05            |                              |                                |
| 84   | 2746600 | WARNSCHILD              | DANGER SIGN            | SL 12,5                |                              |                                |
| 96   | 1474500 | SECHSKANTMUTTER         | HEXAGON NUT            | M 3,0 8 -A             |                              |                                |
| 100  | 2611600 | TORX-PLASTITE LINSENSCH | TORX-PLAST.OV.H. SCREW | 3,0x10 WN5452 V2A      | Ab Fabrik Nummer : 00.246500 | From Serial Number : 00.246500 |
| 105  | 3228900 | DRUCKFEDER              | COMPRESSION SPRING     | Dm 4,87d0,46Lo 7,87    | Ab Fabrik Nummer : 00.246500 | From Serial Number : 00.246500 |
| 106  | 3260900 | ROHRNIET                | TUBULAR RIVET          | A4,0x0,40x 7,0Ms       | Ab Fabrik Nummer : 00.246500 | From Serial Number : 00.246500 |
| 108  | 3229100 | FLANSCH                 | FLANGE                 |                        | Ab Fabrik Nummer : 00.246500 | From Serial Number : 00.246500 |
| 109  | 3229200 | GEGENPLATTE             | COUNTERPLATE           |                        | Ab Fabrik Nummer : 00.246500 | From Serial Number : 00.246500 |
| 110  | 3229000 | HAFTMAGNET              | HOLDING SOLENOIDS      |                        | Ab Fabrik Nummer : 00.246500 | From Serial Number : 00.246500 |
| 111  | 3225800 | BLP - POSITIONIERUNG    | PBA - POSITIONING      | 230V                   | Ab Fabrik Nummer : 00.246500 | From Serial Number : 00.246500 |
| 112  | 3051800 | ANSCHLUSSKLEMME         | TERMINAL CLAMP         | P 2 A10,0V 250         | Ab Fabrik Nummer : 00.246500 | From Serial Number : 00.246500 |
| 116  | 3229300 | FLACHBANDLEITER         | FLAT LINE              | 4pol / 235lg           | Ab Fabrik Nummer : 00.246500 | From Serial Number : 00.246500 |
| 117  | 3243500 | SECHSKANTMUTTER         | HEX NUT                | M 7x0,75               | Ab Fabrik Nummer : 00.246500 | From Serial Number : 00.246500 |
| 118  | 3243400 | SCHEIBE                 | WASHER                 | für Sechskantmutter M7 | Ab Fabrik Nummer : 00.246500 | From Serial Number : 00.246500 |
| 2001 | 2977200 | MOTOR                   | DRIVE                  | 220...240V 50/60Hz     |                              |                                |



Verdrahtungsplan / wiring diagram:



Litzkennzeichnung nach IEC 60757/  
stranded conductor colour coding to IEC 60757

|                |   |
|----------------|---|
| <b>IKKA®</b>   | <b>Servicezeichnung/service drawing</b> |
| KS 130 control |   |
| 29 801 00SZ    | f                                       |
| 23.03.07       |   |